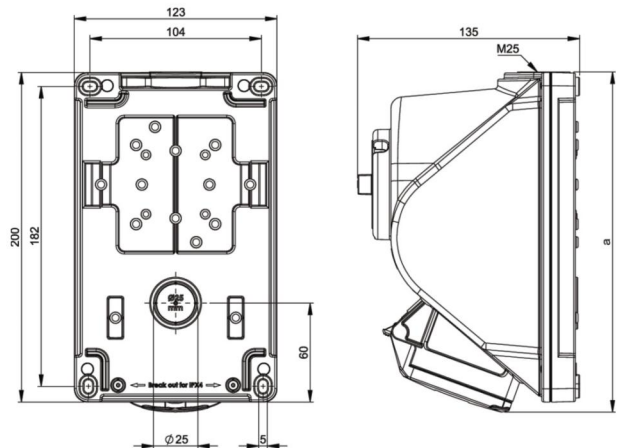


# PCE data sheet

article#	<b>96062450</b>
article description	<b>CEE-wall mounted socket COMBO-POL 32A 4p 6h IP44</b>
description long	CEE-wall mounted socket COMBO-POL 32A 4p 6h IP44 housing material: PA6 rated current: 32A number of poles: 4 (3P+PE) clock-position: 6h rated voltage/frequency: 380-415V~ / 50+60Hz contacts: brass nickel plated connection technology: screw terminals cable entry: top or rear with ON/OFF (0-I) switch AC22A IP protection class: IP44
GTIN (EAN)	9003399566424
country of origin	PL
customs number	85366990
net weight	0.700 kg
packaging quantity	1

ETIM 7.0	EC001324
IEC-amperage	32 A
Number of poles	4
Voltage acc. EN 60309-2	400 V (50+60 Hz) red
Clock hour position	6 h
Identification colour	Red
Degree of protection (IP)	IP44
Switch	With on/off switch, without locking
Type of switch	
Material housing	Plastic

wire flexible	2,5-6 mm <sup>2</sup>
wire solid	2,5-10 mm <sup>2</sup>
contact screws	110 Ncm
dismantling length	50 mm
stripping length	12-14 mm



[www.manufacturer-safety.info](http://www.manufacturer-safety.info)