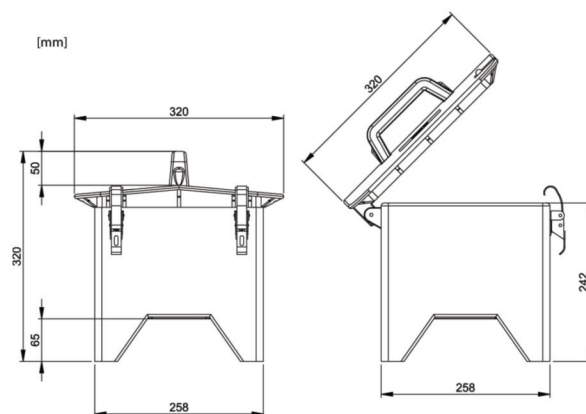


article#	9474584
article description	Distribution box rubber mobile SPITZ BV 32/5 2x16/5 4xSSD 2m5G6St32 Ea IP54
description long	mobile solid rubber distribution box model SPITZ IP54 320x320x320 2x cable H07RN-F 5G6mm2 black with plug 32A 5p 400V 1xCEE-socket 32A 5p 400V protected with pre-fuse of supply line 2xCEE-sockets 16A 5p 400V fused with 2xMCB's 16A 3p C 4xSK-sockets 16A 250V IP54 fused with 4xMCB's 16A 1p B 1xRCD 63A/4/0.03A (TYP A 40AT) over all outlets MCB's and RCD are Eaton ÖVE / VDE branded distribution box is ready wired for using
GTIN (EAN)	9003399117206
country of origin	AT
customs number	85371098
net weight	10.000 kg
packaging quantity	1
minimum order quantity	1

ETIM 9.0	EC000379
CEE socket outlet 16 A	2x16A5p400V
CEE socket outlet 32 A	1x32A5p400V
Number of socket outlets with protective contact CEE 7/3 (type F)	4
Protection	Overcurrent switch
Earth leakage switch	Earth leakage switch with IFN 30 mA (standard)
Number of miniature circuit breakers	6
Material housing	Rubber
Power supply/connection possibility	Feeder cable with plug
Type of mains connection	CEE 32 A
Cable length	5 m
Handling	Portable







<https://www.pcelectric.at/shop/en/?func=detail&artnr=9474584>

