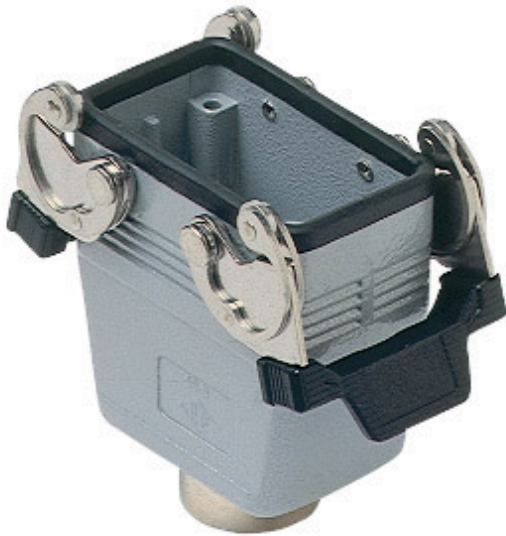


Part number



# CHV 10 G



## Brief description:

hoods with two levers, size "57.27", top entry, Pg16, metal version, IP66

Product description	
Version	metal version
Series	hoods with two levers
Product type	with 2 levers
Variant	top entry
Family	CLASS enclosures
Size	size "57.27"
Technical data	
Material	metal
IP degree of protection	IP66 (and IP69K DIN 40050 - 9)
Cable entry	Pg16
Further technical details	
Weight	213,00 g

Approvals / Standards	
Quality mark	 (type:4/4X/12),  , EAC
Conformity	CQC, CE
General ordering information	
EAN13 code	8015747024303
Tariff number	85369095
Packaging Information	
Packaging length	130,00 mm
Packaging height	145,00 mm
Packaging width	300,00 mm
Packaging weight	2,40 kg
Packaging volume	5,66 dm <sup>3</sup>
Packaging description	Carton box
Packaging quantity	10 Pcs
Packaging EAN code	8015747024310
Sub-packaging weight	1,20 kg
Sub-packaging description	Carton Box
Sub-packaging quantity	5 Pcs
Sub-packaging EAN barcode	8015747024327

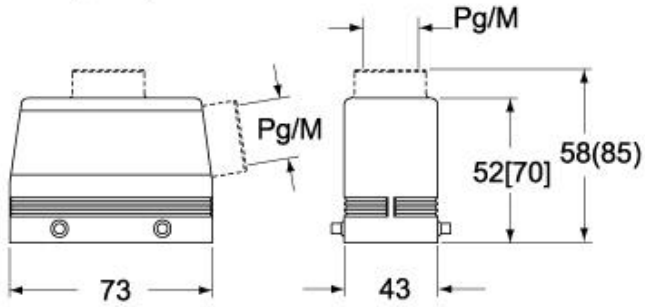
Part number

# CHV 10 G

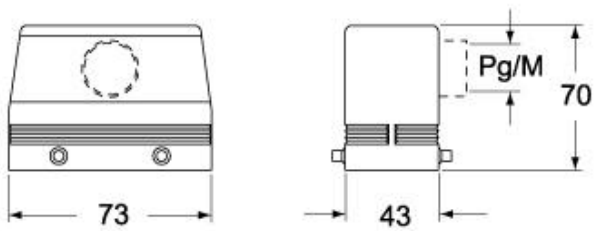


Catalogue drawings

**CHO [CAO] CHV (CAV) - MHO [MAO]  
MHV (MAV)**



**CAF - MAF/MFF**



**CHV G (CAV G) - MHV G (MAV G) - [MFV G]**

