


Part number



JNEM 24 N



Product description	
Model	male insert
Version	screw terminal connections
Series	JNE
Product type	with male contacts
Variant	with plate
Family	JEI inserts
Size	size "104.62"
N. of poles	48 poles +  (2 inserts)

Technical data	
Current	16 A (A.C. and D.C.)
Voltage	500 V
Rated impulse withstand voltage	6kV
Pollution degree	3
Wire cross-section	0,50 mm ² - 4,00 mm ²
AWG size	20 - 12
Operating temperature range (min, max)	-40°C ... +125°C
Contact type	tin plated
Mating cycles	≥ 200
IP degree of protection	IP20 without enclosure, IP65/IP66 with enclosure
PE wire cross-section	0,14 - 4 mm ² ; AWG 20 - 12

Further technical details	
Characteristics according to EN 61984	16A 500V 6kV 3; 16A 400/690V 6kV 2
Insulation resistance	≥ 10 GΩ
Rated voltage according to UL/CSA	600V
UL 94 flammability rating	V-0
Weight	128,38 g

Approvals / Standards	
Reference standard	EN 61984 (2001-11)
Quality mark	 ,  EAC
Conformity	CQC, CE

General ordering information	
EAN13 code	8015747204484
Tariff number	85369095

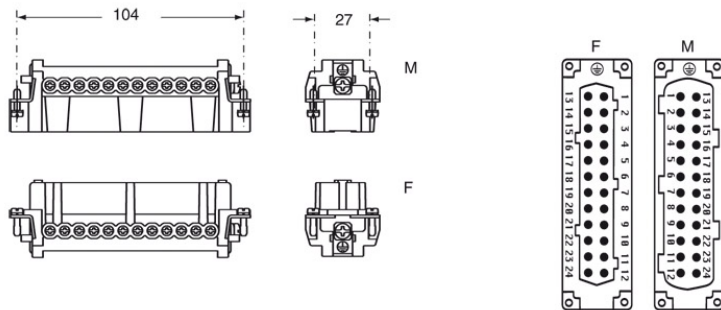
Packaging Information	
Packaging length	450,00 mm
Packaging height	175,00 mm
Packaging width	230,00 mm
Packaging weight	10,27 kg
Packaging volume	18,11 dm ³
Packaging description	Carton box
Packaging quantity	80 Pcs
Packaging EAN code	8015747204712
Sub-packaging weight	0,64 kg
Sub-packaging description	Carton
Sub-packaging quantity	5 Pcs
Sub-packaging EAN barcode	8015747204729

Part number

JNEM 24 N



Catalogue drawings



Notes

- for non-prepared conductors
- inserts with plate for section conductors:
0.5 ÷ 4 mm² - AWG 20 ÷ 12
- conductors stripping length: 7 mm
- terminal screw torque: 0.5 Nm

