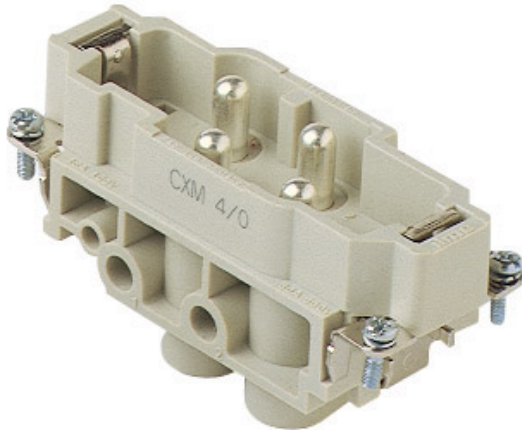


Part number

# CXM 4/0



## Brief description:

male insert, 4 poles + PE, screw terminal connections, 80A 690V, 8kV, 3, silver plated, size "77.27", CLASS insert series

### Product description

<b>Model</b>	male insert
<b>Version</b>	screw terminal connections
<b>Series</b>	CX
<b>Product type</b>	with male contacts
<b>Family</b>	CLASS inserts
<b>Size</b>	size "77.27"
<b>N. of poles</b>	4 poles + $\oplus$

### Technical data

<b>Current</b>	80 A (A.C. and D.C.)
<b>Voltage</b>	690 V
<b>Rated impulse withstand voltage</b>	8kV
<b>Pollution degree</b>	3
<b>Wire cross-section</b>	4,00 mm <sup>2</sup> - 16,00 mm <sup>2</sup>
<b>AWG size</b>	12 - 6
<b>Operating temperature range (min, max)</b>	-40°C ... +125°C
<b>Contact type</b>	silver plated
<b>Mating cycles</b>	≥ 500
<b>IP degree of protection</b>	IP20 without enclosure; IP65/IP66/IP67/IP68 with enclosure

### Further technical details

<b>Characteristics according to EN 61984</b>	80A 690V 8kV 3
<b>Insulation resistance</b>	≥ 10 GΩ
<b>Rated voltage according to UL/CSA</b>	600V
<b>UL 94 flammability rating</b>	V-0
<b>Weight</b>	124,00 g

### Approvals / Standards

<b>Reference standard</b>	EN 61984 (2001-11)
<b>Quality mark</b>	EAC
<b>Conformity</b>	CQC, CE

### General ordering information

<b>EAN13 code</b>	8015747042581
<b>Tariff number</b>	85369095
<b>Country of origin</b>	Made in EU (IT)
<b>ETIM classification</b>	EC000438

### Packaging Information

<b>Packaging length</b>	245,00 mm
<b>Packaging height</b>	165,00 mm
<b>Packaging width</b>	215,00 mm
<b>Packaging weight</b>	3,85 kg
<b>Packaging volume</b>	8,69 dm <sup>3</sup>
<b>Packaging description</b>	Carton box
<b>Packaging quantity</b>	30 Pcs
<b>Packaging EAN code</b>	8015747191821
<b>Sub-packaging weight</b>	0,64 kg
<b>Sub-packaging description</b>	Carton
<b>Sub-packaging quantity</b>	5 Pcs
<b>Sub-packaging EAN barcode</b>	8015747042598

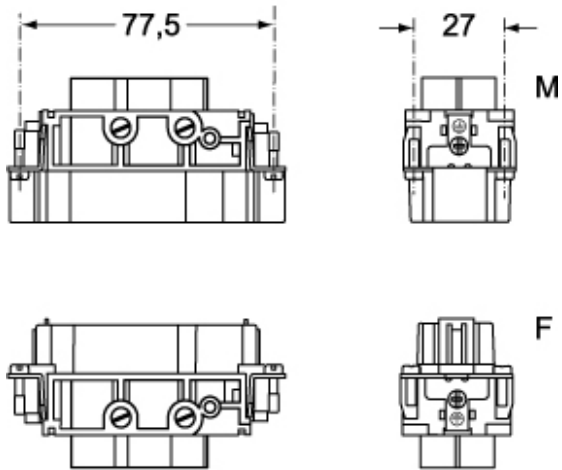
Part number

# CXM 4/0

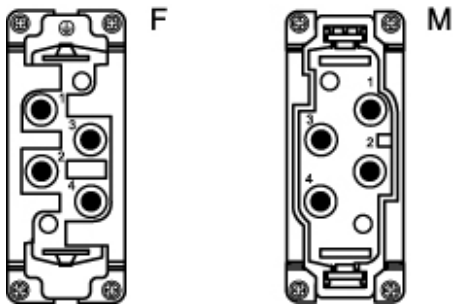


Catalogue drawings

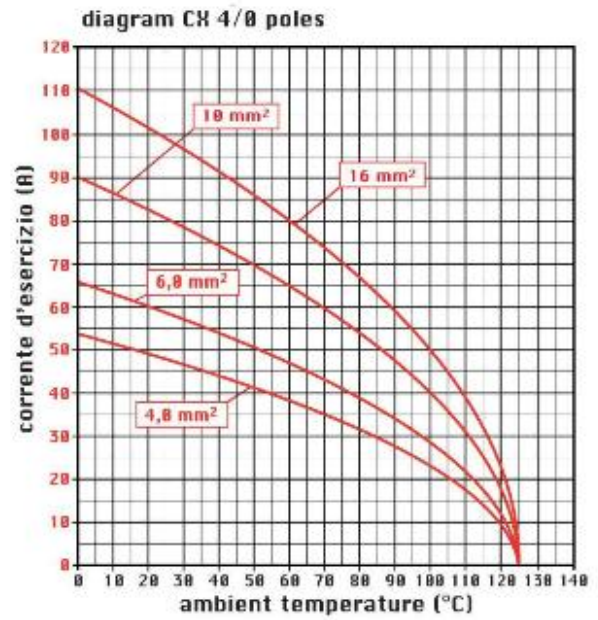
**CXM 4/0**



**CXF 4/0**



Catalogue drawings



Notes