



Part number
CHO 24



Brief description:

hoods for two levers, size "104.27", side entry, Pg21, metal version, IP66



Product description		Approvals / Standards	
Version	metal version	Quality mark	 (type:4/4X/12),  , EAC
Series	hoods for two levers	Conformity	CQC, CE
Product type	with 4 pegs	General ordering information	
Variant	side entry	EAN13 code	8015747020053
Family	CLASS enclosures	Tariff number	85369095
Size	size "104.27"	Packaging Information	
Technical data		Packaging length	250,00 mm
Material	metal	Packaging height	145,00 mm
IP degree of protection	IP66 (and IP69K DIN 40050 - 9)	Packaging width	300,00 mm
Cable entry	Pg21	Packaging weight	4,15 kg
Further technical details		Packaging volume	10,88 dm ³
Weight	200,00 g	Packaging description	Carton box
		Packaging quantity	20 Pcs
		Packaging EAN code	8015747020060
		Sub-packaging weight	1,04 kg
		Sub-packaging description	Plastic packaging
		Sub-packaging quantity	5 Pcs
		Sub-packaging EAN barcode	8015747020077

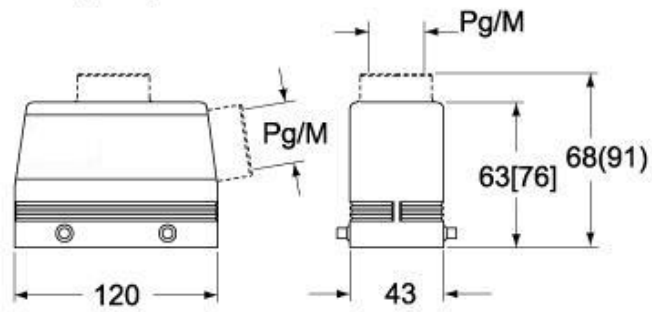
Part number

CHO 24



Catalogue drawings

**CHO [CAO] CHV (CAV) - MHO [MAO]
MHV (MAV)**



CHV G (CAV G) - MHV G (MAV G) - [MFV G]

