

Part number

# CKA 03 VGS



## Brief description:

Hoods with single lever, size "21.21", top entry, Pg11, metal version, IP44, IP66/IP67 degree of protection with CKR 65 kit or CKR 65 D kit.

| Product description                    |  | Approvals / Standards               |   |
|--|--|-------------------------------------|---|
| Version                                | Metallic type                              | Quality mark                        | CE type: 12, (type 4/4X only with kit CKR 65 or CKR 65 D), (R), EAC |
| Series                                 | Hoods with 1 lever                         | Conformity                          | CQC, CE   |
| Product type                           | with 1 lever in galvanised steel           | <b>General ordering information</b> |   |
| Variant                                | top entry                                  | EAN13 code                          | 8015747027106   |
| Family                                 | CKA metal enclosures                       | Tariff number                       | 85369095  |
| Size                                   | size "21.21"                               | <b>Packaging Information</b>        |   |
| Technical data                         |  | Packaging length                    | 370,00 mm   |
| Operating temperature range (min, max) | -40°C ... +125°C                           | Packaging height                    | 135,00 mm   |
| Material                               | metal                                      | Packaging width                     | 225,00 mm   |
| IP degree of protection                | IP44 (IP66/IP67 with CKR 65/CKR 65 D kits) | Packaging weight                    | 3,67 kg   |
| Cable entry                            | Pg11                                       | Packaging volume                    | 11,24 dm <sup>3</sup>   |
| Further technical details              |  | Packaging description               | Carton box  |
| Weight                                 | 37,00 g                                    | Packaging quantity                  | 100 Pcs   |
|  |  | Packaging EAN code                  | 8015747027113   |
|  |  | Sub-packaging length                | 105,00 mm   |
|  |  | Sub-packaging height                | 70,00 mm  |
|  |  | Sub-packaging width                 | 110,00 mm   |
|  |  | Sub-packaging weight                | 0,37 kg   |
|  |  | Sub-packaging volume                | 0,81 dm <sup>3</sup>  |
|  |  | Sub-packaging description           | Carton Box  |
|  |  | Sub-packaging quantity              | 10 Pcs  |
|  |  | Sub-packaging EAN barcode           | 8015747027120   |

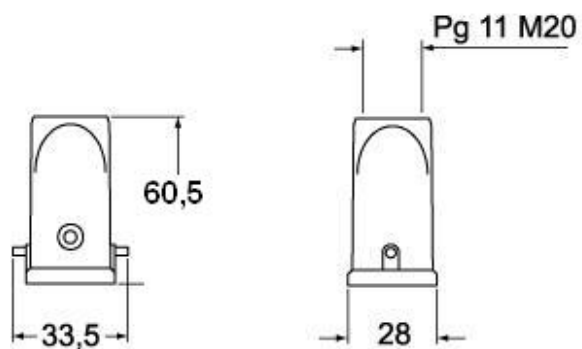
Part number

**CKA 03 VGS**

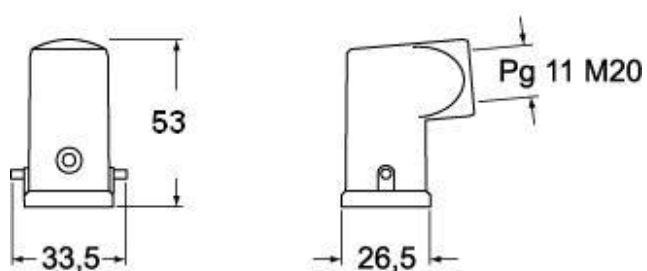


# Catalogue drawings

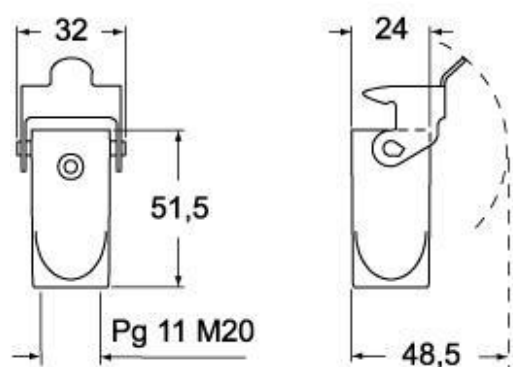
## CKA VS - MKA V



## CKA VAS - MKA VA



## CKA VAS - MKA VA



## CKAX VGS - MKAX VG

