


Part number

CK 03 VAS



Brief description:

hoods for single lever, size "21.21", side entry, Pg11, thermoplastic version, IP44, IP66/IP67 degree of protection with CKR 65 kit or CKR 65 D kit.

Product description		Approvals / Standards	
Version	thermoplastic version	Quality mark	type: 12, (type 4/4X only with kit CKR 65 or CKR 65 D),  , EAC
Series	Hoods with 2 pegs	Conformity	CQC, CE
Product type	with 2 pegs	General ordering information	
Variant	side entry	EAN13 code	8015747026604
Style	white colour, RAL 7035	Tariff number	85369095
Family	CK thermoplastic enclosures	Packaging Information	
Size	size "21.21"	Packaging weight	2,00 kg
Technical data		Packaging volume	12,90 dm ³
Operating temperature range (min, max)	-40°C ... +125°C	Packaging description	Carton box
Material	thermoplastic	Packaging quantity	100 Pcs
IP degree of protection	IP44 (IP66/IP67 with CKR 65/CKR 65 D kits)	Packaging EAN code	8015747026611
Cable entry	Pg11	Sub-packaging length	100,00 mm
Further technical details		Sub-packaging height	58,00 mm
Weight	20,00 g	Sub-packaging width	145,00 mm
		Sub-packaging weight	0,20 kg
		Sub-packaging volume	0,84 dm ³
		Sub-packaging description	Carton Box
		Sub-packaging quantity	10 Pcs
		Sub-packaging EAN barcode	8015747026628

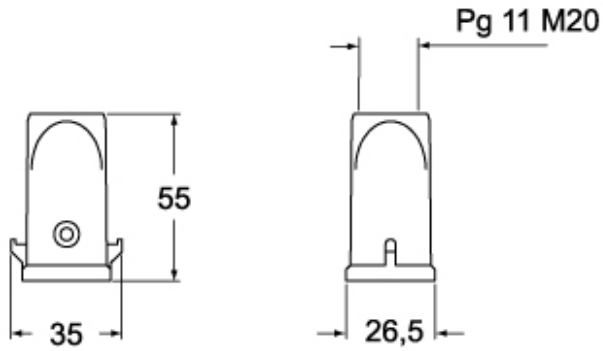
Part number

CK 03 VAS

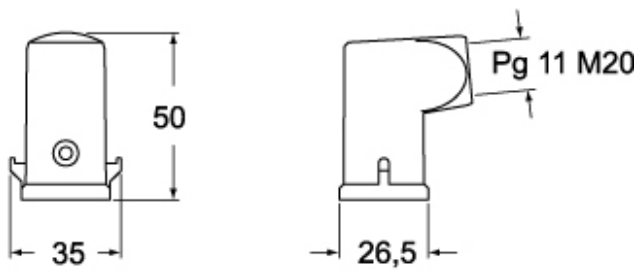


Catalogue drawings

CK V(N)S - MK V(N)



CK VA(N)S - MK VA(N)



CK VG(N)S - MK VG(N)

