

Part number

CHI 24 LS



Brief description:

bulkhead mounting housings with single lever, size "104.27", metal cover, metal version, IP65

Product description

Version	metal version
Series	bulkhead mounting housings with single lever
Product type	with 1 lever
Variant	metal cover
Family	CLASS enclosures
Size	size "104.27"



Technical data

Material	metal
IP degree of protection	IP65

Further technical details

Weight	221,00 g
--------	----------

Approvals / Standards

Quality mark	 (type:4/4X/12),  , EAC
Conformity	CQC, CE

General ordering information

EAN13 code	8015747018364
Tariff number	85369095

Packaging Information

Packaging length	210,00 mm
Packaging height	155,00 mm
Packaging width	350,00 mm
Packaging weight	5,10 kg
Packaging volume	11,39 dm ³
Packaging description	Carton box
Packaging quantity	20 Pcs
Packaging EAN code	8015747018371
Sub-packaging weight	1,28 kg
Sub-packaging description	Plastic pakaging
Sub-packaging quantity	5 Pcs
Sub-packaging EAN barcode	8015747018388

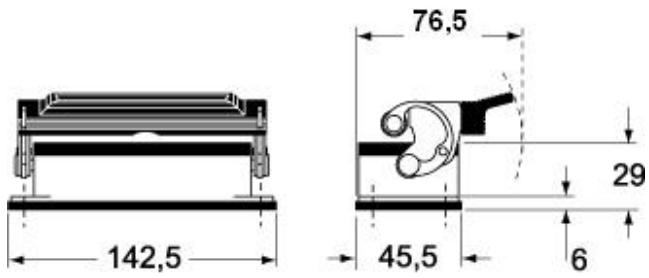
Part number

CHI 24 LS

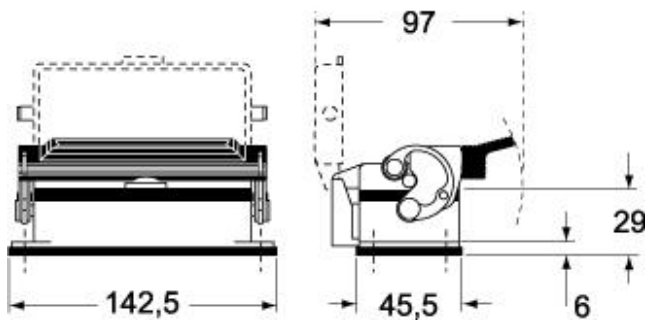


Catalogue drawings

CHI L



CHI LS



Catalogue drawings

