

Part number
CHI 06 L



Brief description:

bulkhead mounting housings with single lever, size "44.27", metal version, IP66

Product description	
Version	metal version
Series	bulkhead mounting housings with single lever
Product type	with 1 lever
Family	CLASS enclosures
Size	size "44.27"
Technical data	
Material	metal
IP degree of protection	IP66 (and IP69K DIN 40050 - 9)
Further technical details	
Weight	110,00 g

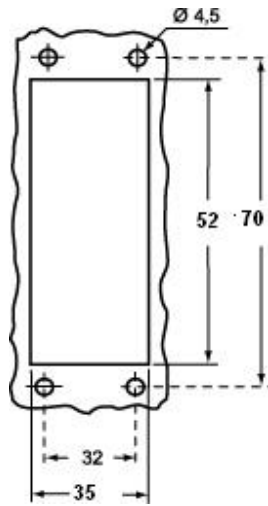
Approvals / Standards	
Quality mark	UL (type:4/4X/12), CE, EAC
Conformity	CQC, CE
General ordering information	
EAN13 code	8015747017138
Tariff number	85369095
Packaging Information	
Packaging length	175,00 mm
Packaging height	195,00 mm
Packaging width	260,00 mm
Packaging weight	4,53 kg
Packaging volume	8,87 dm ³
Packaging description	Carton box
Packaging quantity	40 Pcs
Packaging EAN code	8015747017145
Sub-packaging weight	0,57 kg
Sub-packaging description	Plastic packaging
Sub-packaging quantity	5 Pcs
Sub-packaging EAN barcode	8015747017152

Part number

CHI 06 L

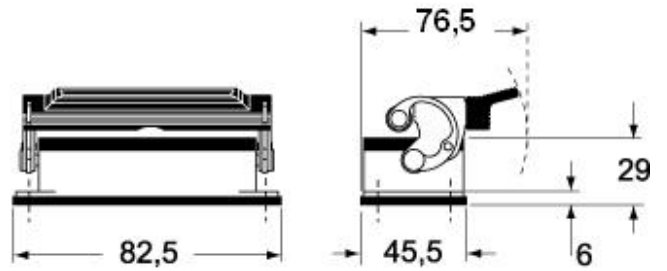


Catalogue drawings

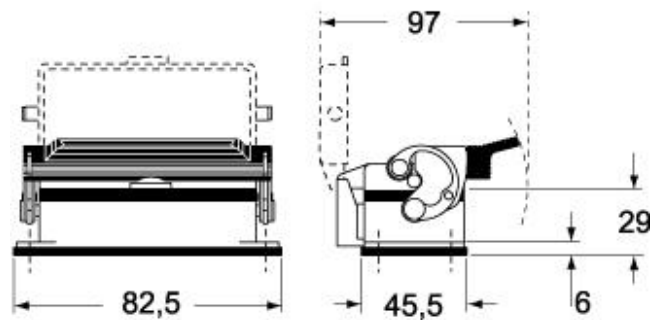


Catalogue drawings

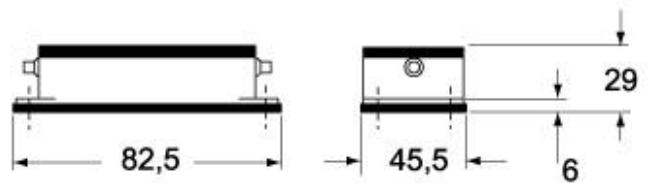
CHI L



CHI LS



CHI LC



CHI LCS/LCP

