


Part number
CK 03 I



Brief description:

bulkhead mounting housings with single lever, size "21.21", thermoplastic version, IP44, IP66/IP67 degree of protection with CKR 65 kit or CKR 65 D kit.

Product description		Approvals / Standards	
Version	thermoplastic version	Quality mark	SA type: 12, (type 4/4X only with kit CKR 65 or CKR 65 D),  , EAC
Series	Bulkhead mounting housings with 1 lever	Conformity	CQC, CE
Product type	with 1 lever	General ordering information	
Style	white colour, RAL 7035	EAN13 code	8015747026246
Family	CK thermoplastic enclosures	Tariff number	85369095
Size	size "21.21"	Packaging Information	
Technical data		Packaging weight	2,00 kg
Operating temperature range (min, max)	-40°C ... +125°C	Packaging volume	12,90 dm ³
Material	thermoplastic	Packaging description	Carton box
IP degree of protection	IP44 (IP66/IP67 with CKR 65/CKR 65 D kits)	Packaging quantity	100 Pcs
Further technical details		Packaging EAN code	8015747026253
Weight	14,00 g	Sub-packaging length	100,00 mm
		Sub-packaging height	58,00 mm
		Sub-packaging width	145,00 mm
		Sub-packaging weight	0,20 kg
		Sub-packaging volume	0,84 dm ³
		Sub-packaging description	Carton Box
		Sub-packaging quantity	10 Pcs
		Sub-packaging EAN barcode	8015747026260

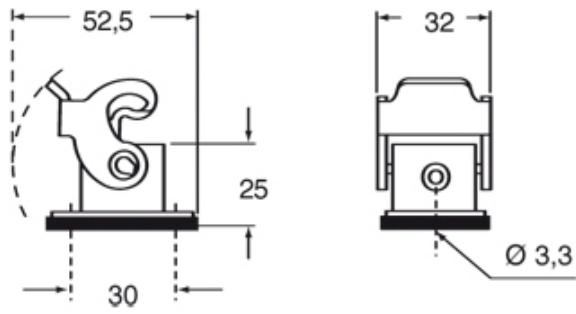
Part number

CK 03 I



Catalogue drawings

CK I(N)



Catalogue drawings

