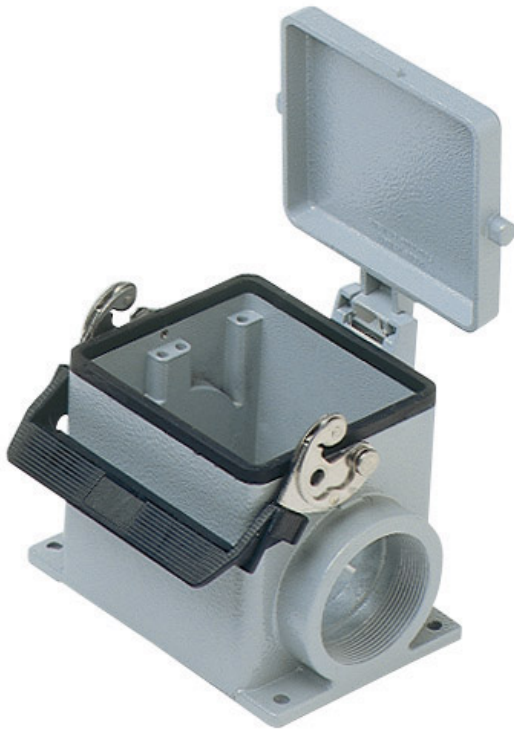




Part number

# CHP 32 LS



## Brief description:

surface mounting housings with single lever, size "77.62", metal cover, Pg36, metal version, IP66

Product description		Approvals / Standards	
Version	metal version	Quality mark	 (type:4/4X/12),  , EAC
Series	surface mounting housings with single lever	Conformity	CQC, CE
Product type	with 1 lever	<b>General ordering information</b>	
Variant	metal cover	EAN13 code	8015747022866
Family	CLASS enclosures	Tariff number	85369095
Size	size "77.62"	<b>Packaging Information</b>	
<b>Technical data</b>		Packaging length	290,00 mm
Material	metal	Packaging height	130,00 mm
IP degree of protection	IP66 (and IP69K DIN 40050 - 9)	Packaging width	210,00 mm
Cable entry	Pg36	Packaging weight	3,10 kg
<b>Further technical details</b>		Packaging volume	7,92 dm <sup>3</sup>
Weight	795,00 g	Packaging description	Carton box
		Packaging quantity	4 Pcs
		Packaging EAN code	8015747211062
		Sub-packaging weight	0,78 kg
		Sub-packaging description	Plastic packaging
		Sub-packaging quantity	1 Pcs
		Sub-packaging EAN barcode	8015747022873

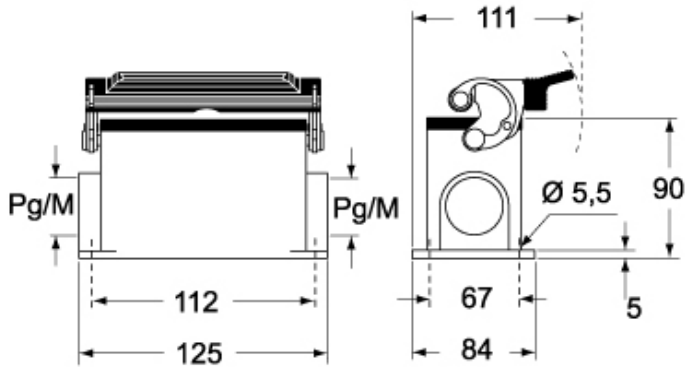
Part number

# CHP 32 LS



Catalogue drawings

## CHP L CAP L - MHP L MAP L



## CHP LS CAP LS - MHP LS MAP LS

