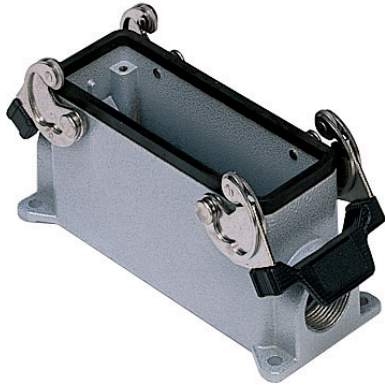


Part number

CHP 24



Brief description:

surface mounting housings with 2 levers, size "104.27", Pg21, metal version, IP66

Product description

| | |
|---------------------|---|
| Version | metal version |
| Series | surface mounting housings with 2 levers |
| Product type | with 2 levers |
| Family | CLASS enclosures |
| Size | size "104.27" |

Technical data

| | |
|--------------------------------|--------------------------------|
| Material | metal |
| IP degree of protection | IP66 (and IP69K DIN 40050 - 9) |
| Cable entry | Pg21 |

Further technical details

| | |
|---------------|----------|
| Weight | 396,00 g |
|---------------|----------|

Approvals / Standards

| | |
|---------------------|---|
| Quality mark |  (type:4/4X/12),  , EAC |
| Conformity | CQC, CE |

General ordering information

| | |
|----------------------|---------------|
| EAN13 code | 8015747022408 |
| Tariff number | 85369095 |

Packaging Information

| | |
|----------------------------------|-----------------------|
| Packaging length | 475,00 mm |
| Packaging height | 180,00 mm |
| Packaging width | 200,00 mm |
| Packaging weight | 4,10 kg |
| Packaging volume | 17,10 dm ³ |
| Packaging description | Carton box |
| Packaging quantity | 10 Pcs |
| Packaging EAN code | 8015747250382 |
| Sub-packaging weight | 2,05 kg |
| Sub-packaging description | Plastic packaging |
| Sub-packaging quantity | 5 Pcs |
| Sub-packaging EAN barcode | 8015747022422 |

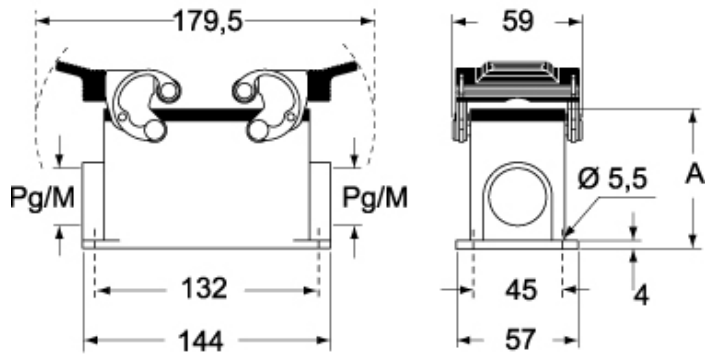
Part number

CHP 24

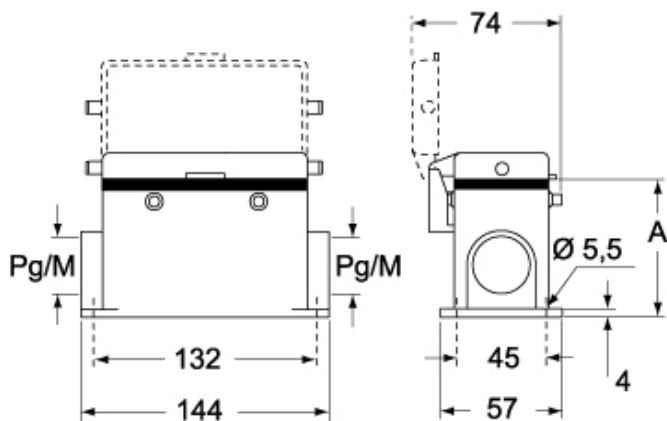


Catalogue drawings

CHP CAP - MHP MAP



CHP CS/CP CAP CS/CP - MHP CS/CP MAP CS/CP



| | A |
|------------------------|----------|
| CHP / MHP | 63 |
| CAP / MAP | 80 |
| CHP CS / MHP CS | 63 |
| CAP CS / MAP CS | 80 |
| CHP CP / MHP CP | 63 |
| CAP CP / MAP CP | 80 |