

Part number

CHP 06 L



Brief description:

surface mounting housings with single lever, size "44.27", Pg16, metal version, IP66

| Product description | |
|---------------------------|---------------------------------------------|
| Version | metal version |
| Series | surface mounting housings with single lever |
| Product type | with 1 lever |
| Family | CLASS enclosures |
| Size | size "44.27" |
| Technical data | |
| Material | metal |
| IP degree of protection | IP66 (and IP69K DIN 40050 - 9) |
| Cable entry | Pg16 |
| Further technical details | |
| Weight | 204,00 g |

| Approvals / Standards | |
|------------------------------|-----------------------|
| Quality mark | (type:4/4X/12), , EAC |
| Conformity | CQC, CE |
| General ordering information | |
| EAN13 code | 8015747021418 |
| Tariff number | 85369095 |
| Packaging Information | |
| Packaging length | 475,00 mm |
| Packaging height | 160,00 mm |
| Packaging width | 140,00 mm |
| Packaging weight | 3,40 kg |
| Packaging volume | 10,64 dm ³ |
| Packaging description | Carton box |
| Packaging quantity | 10 Pcs |
| Packaging EAN code | 8015747249409 |
| Sub-packaging weight | 1,70 kg |
| Sub-packaging description | Carton Box |
| Sub-packaging quantity | 5 Pcs |
| Sub-packaging EAN barcode | 8015747021432 |

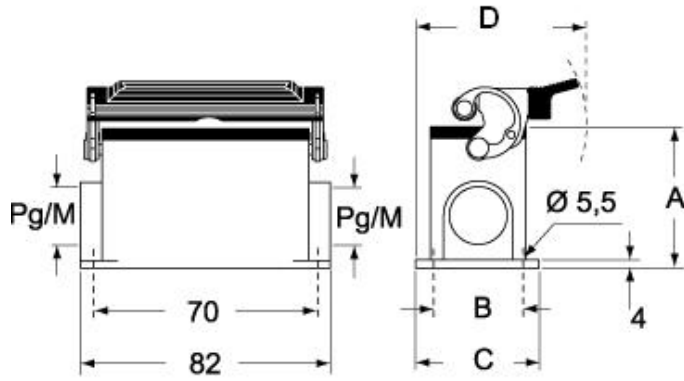
Part number

CHP 06 L



Catalogue drawings

CHP L CAP L - MHP L MAP L



CHP LS CAP LS - MHP LS MAP LS

