



LW166 series rotary switch mainly applies to 440V and below AC50Hz or 240V and below DC circuits. For beaking and closing, changeover of circuits under unfrequency manual operation. And the typical application are: control switch of 3 phase motors, control switch gear, control switch of instruments, and change-over switch of machinery and welding machine.

It complies with GB14048.3, GB14048.5 and IEC80947-3, IEC60947-5-1

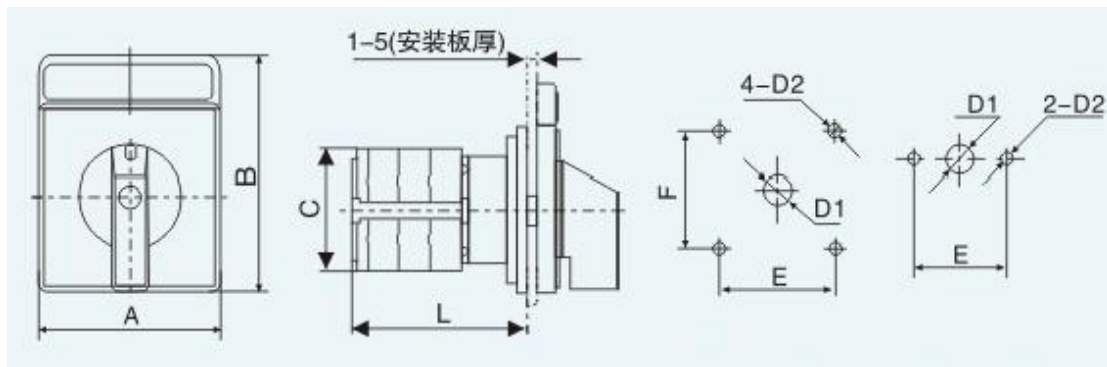
Normal Working Conditons

- 1) Ambient air temperature do not exceed $+40^{\circ}\text{C}$, and the average temperature, measured over a period of 24 hours, do nod exceed 35°C
- 2) Lowest temperature not less then -25°C
- 3) Altitude not more than 2000m
- 4) At highest temperature of $+40^{\circ}\text{C}$, relative humidity of air no more than 50%. At lower temperature. A hihger humidity is allowed, such as at 20°C , up to 90% humidity allowed. It shall adopt the special treatment against the condensation water.

Installation Conditions

- 1) Switch mounted on the pollution degree 3 environment condition
- 2) According to the factory's instructions for installation.

Diemesion



MODEL	SPEC.	DIMENSION (mm)				INSTALL DIMENSION(mm)			
		A	B	C	L	E	F	D1	D2
LW166	M1	48	48	43	22+9.6n	36	36	$\phi 8.5$	$\phi 4.5$
	M2	64	64	43	25+9.6n	48	48	$\phi 10$	$\phi 4.5$
	M2	64	80	43	25+9.6n	48	48	$\phi 10$	$\phi 4.5$