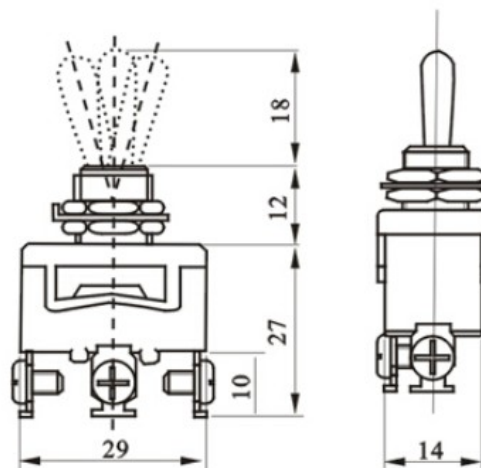


Toggle Switch 1122



Type	E-SG 1122
Function	ON-OFF-ON
Rated Voltage and Current	15A 250Vac/20A 125Vac
Contact Resistance	≤50mΩ
Insulation Resistance	≥100mΩ
Dielectric Intensity	≥1500Vac/Min(50Hz)
Temperature	-55~+85°C
Working Life	≥ 10000 Cycle